

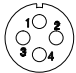
REV	ZONE	REVISION	DATE

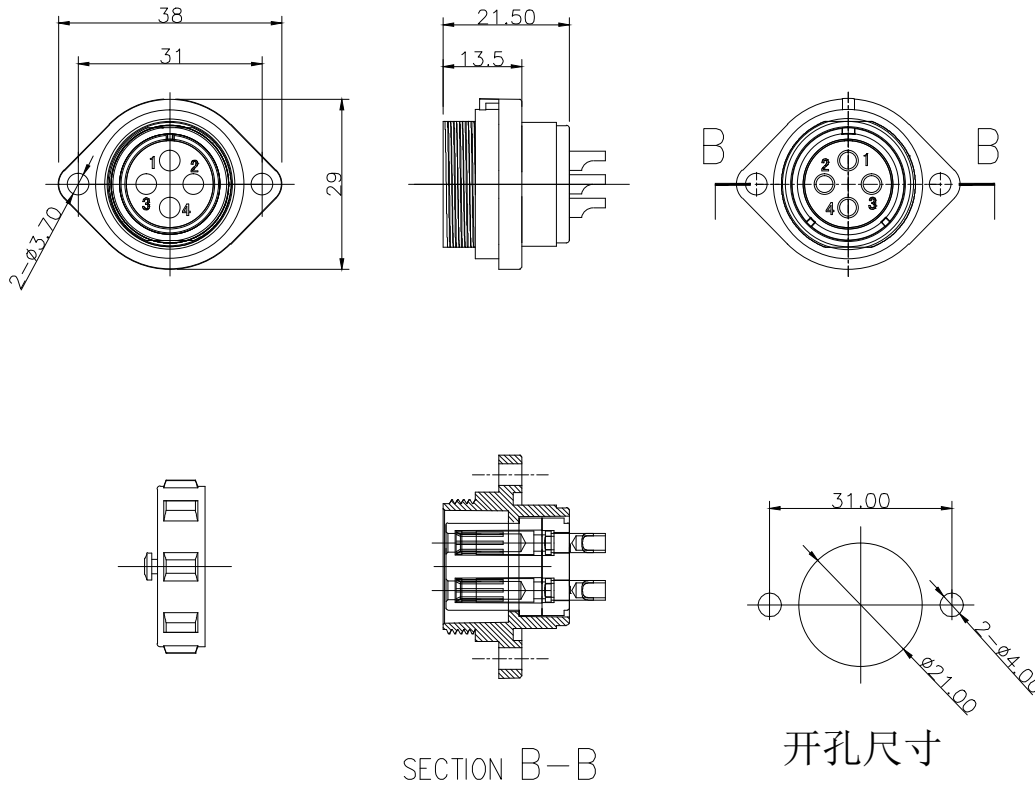
INT13-FP2112/S04

材料和技术参数 Material and spec

产品类型	Product model	连接器	Connector
接插方式	Coupling	螺纹锁紧	Threaded
外壳材料	Shell material	热塑材料	PPO, PA66 阻燃等级:V-0 PPO, Nylon66 fire resistance:V-0
绝缘体	Insert material	热塑材料	PPS 耐高温 260°C PPS man temperature 260°C
接触件材料	Contact material	铜镀金	Brass with gold plating
接线方式	Termination	INT13-FP21:焊接/压接 INT13-FP21:solder/crimp	
电缆直径	Cable outer diameter range	INT13-FP21B:7-12mm	
防护等级	IP rating	IP68	
接插次数	Mating cycle	500 times	
温度范围	Temperature range	-25 °C -- +85 °C	
绝缘电阻MΩ	Insulation resistance M	2000	

焊接芯件芯数排列及技术特性表 Solder contact arrangement and spec

芯数 Number of contact	4
插针绝缘体正面图 Male contact face view	
额定电流A Rated current (A)	30A
接触件直径 Contact diameter	2.8*3
接线方式 Termination	焊接/螺丝压接 solder/crimp
工作电压 (AC.V) Rated voltage (AC.V)	500V
耐压 (AC.V) 1 min Test voltage (AC.V) 1 min	1500V
接触电阻 μΩ Contact resistance μΩ	1
线规 mm ² /AWG Wire size solder mm ² /AWG	<4.17/11 .
螺丝压接线规 mm ² /AWG Wire size for screw ceimp mm ² /AWG	<1.5/15 .



深圳市茵特电子科技有限公司
SHENZHEN INTE-AUTO CO.,LTD

COMPUTER NO.

INT13-FP21 Receptacle

UNIT

mm

SCALE

1:1

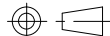
PART NAMF

INT13-FP2112/S04

MODEL

Waterproof
Connector

PAGE 1 OF 1



Lee

LWJ

LZG

DATE
2024/6/1

TOLERANCE
×. ±0.05
×× ±0.02

PART NO.

4Pin-Solder

PEV

A0