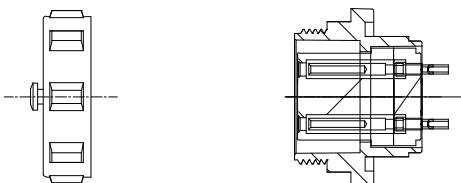
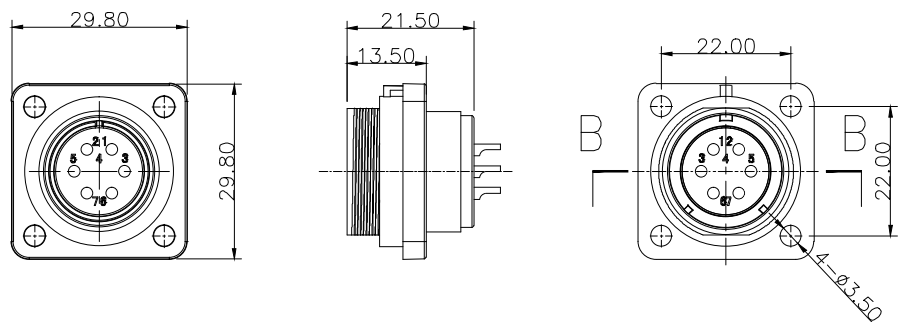
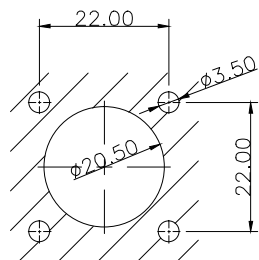


INT13-FP2114/S061



SECTION B-B



开孔尺寸

REV	ZONE	REVISION	DATE

材料和技术参数 Material and spec

产品类型	Product model	连接器	Connector
接插方式	Coupling	螺纹锁紧	Threaded
外壳材料	Shell material	热塑材料	PP0, PA66 阻燃等级:V-0 PP0, Nylon66 fire resistance:V-0
绝缘体	Insert material	热塑材料	PPS 耐高温 260°C PPS man temperature 260°C
接触件材料	Contact material	铜镀金	Brass with gold plating
接线方式	Termination	INT13-FP21:焊接/压接 INT13-FP21:solder/crimp	
电缆直径	Cable outer diameter range	INT13-FP21B:7-12mm	
防护等级	IP rating	IP68	
接插次数	Mating cycle	500 times	
温度范围	Temperature range	-25°C — +85°C	
绝缘电阻MΩ	Insulation resistance M	2000	

焊接芯件芯数排列及技术特性表 Solder contact arrangement and spec

芯数	6A
Number of contact	6A
插针绝缘体正面图	
Male contact face view	
额定电流A	15A
Rated current (A)	15A
接触件直径	1.8*6
Contact diameter	1.8*6
接线方式	焊接
Termination	solder
工作电压(AC.V)	500V
Rated voltage(AC.V)	500V
耐压(AC.V) 1 min	1500V
Test voltage(AC.V) 1 min	1500V
接触电阻 mΩ	2.5
Contact resistance mΩ	2.5
线规 mm²/AWG	< 2/14 .
Wire size solder mm²/AWG	< 2/14 .
螺丝压接线规 mm²/AWG	
Wire size for screw ceimp mm²/AWG	

INTE-AUTO

深圳市茵特电子科技有限公司
SHENZHEN INTE-AUTO CO.,LTD

COMPUTER NO.

INT13-FP21 Receptacle

UNIT

mm

SCALE

1:1

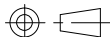
PART NAMF

INT13-FP2114/S061

MODEL

Waterproof
Connector

PAGE 1 OF 1



Lee

LWJ

LZG

2024/6/1

TOLERANCE
× ±0.05
.× ±0.02

PART NO.

6Pin-Solder

PEV

A0